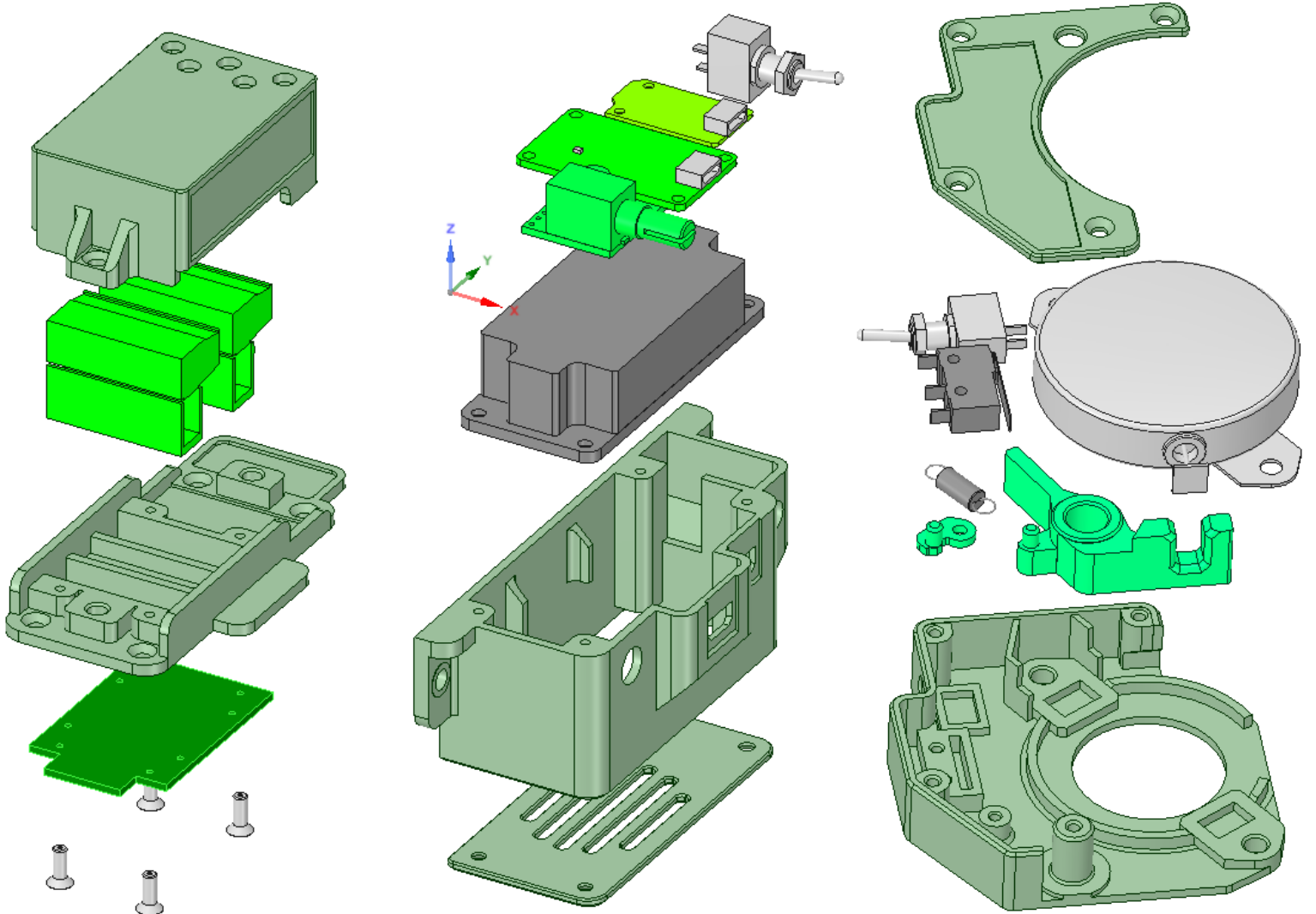
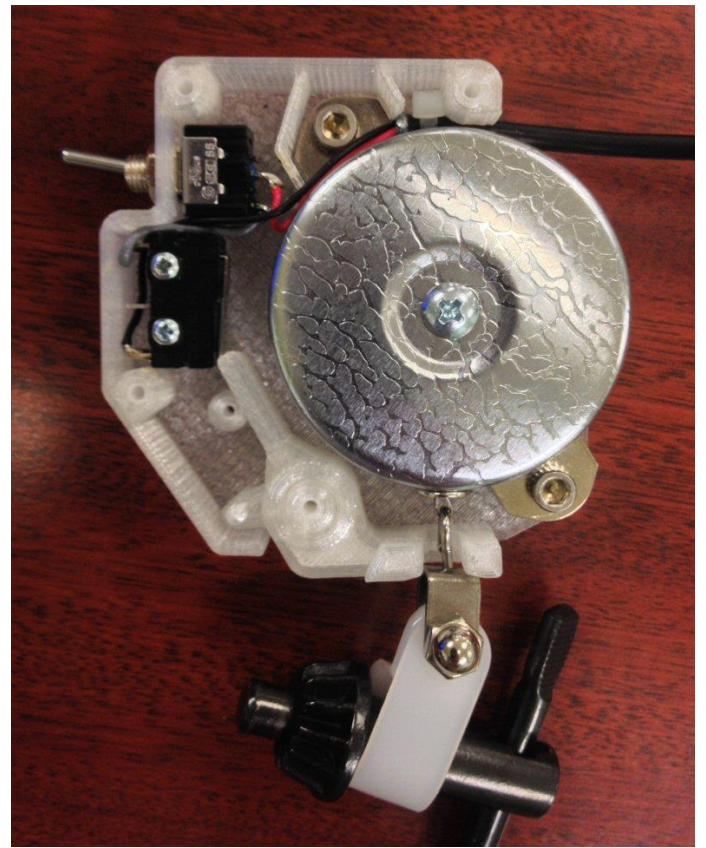
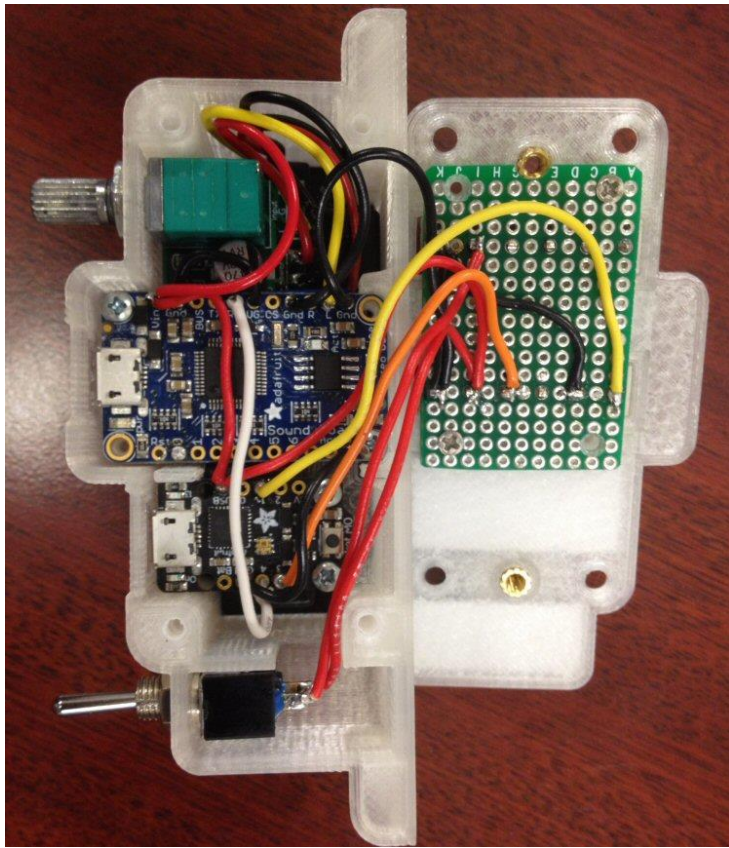


# SafeSpeak and SafeKey







CQRobot Speaker 3 Watt 4 Ohm Compatible with Arduino Motherboard, 2.54mm Dupont Interface. It is Ideal for a Variety of Small Electronic Projects.

Brand: CQRobot

4.4 ★★★★★ (166) | Search this page

Amazon's Choice

\$7.99

Price history

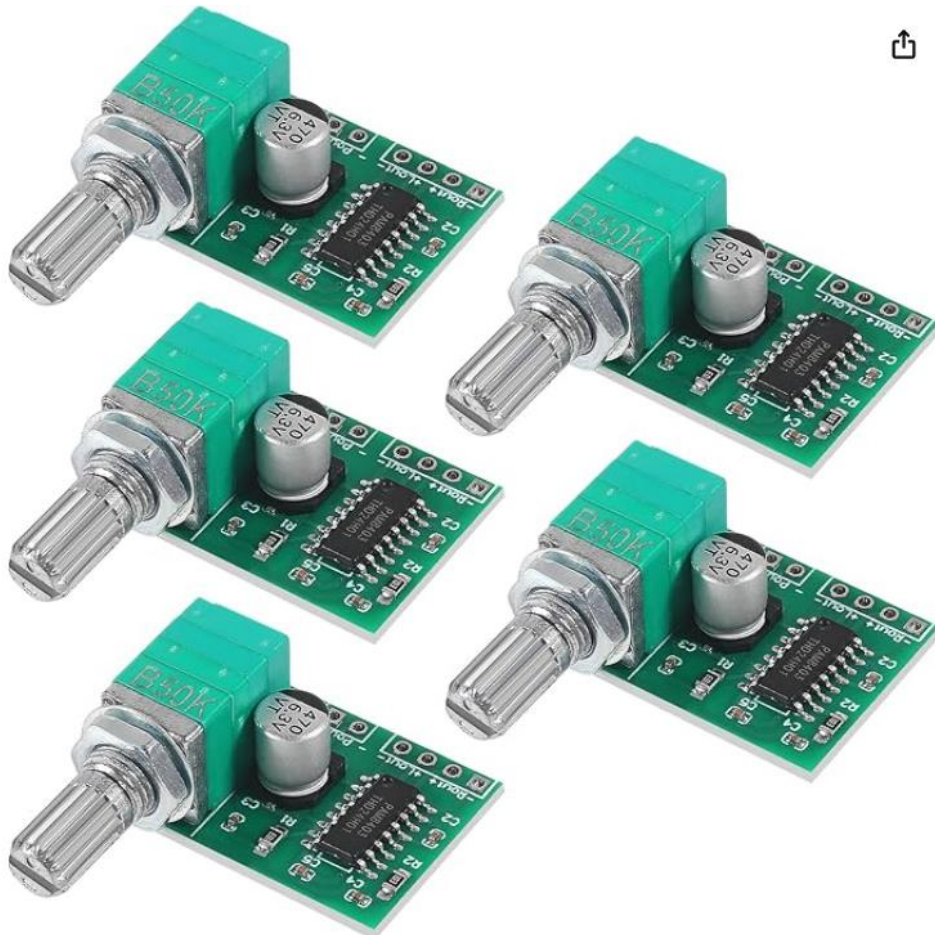
prime Tomorrow

FREE Returns

Save up to 7% with business pricing. Sign up for a free Amazon Business account

Size: 403W-Dupont2.54

403W-Dupont2.54	403W-JST-PH2.0	403W-JST-PH2.0-N
\$7.99 FREE Delivery Tomorrow	\$7.99 FREE Delivery Tomorrow	\$8.99 FREE Delivery Saturday
403W-Dupont2.5...	803W-JST-PH2.0	803W-JST-PH2.0-N
\$8.99 FREE Delivery Saturday	\$7.99 FREE Delivery Tomorrow	\$8.99 FREE Delivery Tomorrow
803W-	805W-JST-	805W-JST-



5pcs DC 5V 3W+3W Audio Amplifier Mini PAM8403 Digital Power Amp Module Board Dual-Channel for DIY(with Potentiometer)

Visit the ALAMSCN Store

4.5 ★★★★★ (2) | Search this page

\$6.99

Price history

prime Tomorrow

Save up to 5% with business pricing. Sign up for a free Amazon Business account

Brand ALAMSCN

Manufacturer ALAMSCN

UPC 687117715371

### About this item

- PAM8403:A small digital power amplifier chip with high-definition sound quality
- Feature:Clear sound output,good listening enjoyment
- Package: 5PCS Mini PAM8403 DC 5V Audio Amplifier Module
- Flexible:With switches and potentiometers, and can adjust the volume

See more product details

# Adafruit Audio FX Mini Sound Board - WAV/OGG Trigger - 2MB Flash [ADA2342]

4.3 ★★★★★ (124)



See options

No featured offers available  
\$20.95 (1 new offer)

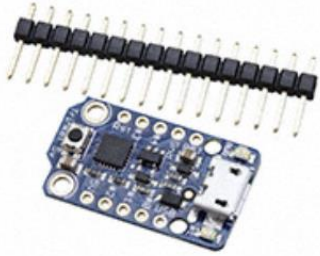


Image shown is a representation only. Exact specifications should be obtained from the product data sheet.

1501

DigiKey Part Number	1528-1021-ND
Manufacturer	Adafruit Industries LLC
Manufacturer Product Number	1501
Description	TRINKET 5V ATTINY85 EVAL BRD

In-Stock: 66

[Check for Additional Incoming Stock](#)

Not recommended for new design, minimums may apply

QUANTITY

Add to List

Add to Cart

All prices are in USD

Box

QUANTITY	UNIT PRICE	EXT PRICE
1	\$6.95000	\$6.95

Manufacturers Standard Package

# 12PCS Mini Toggle Switch SPST 6A 125V Miniature ON/ON 3 Pin 2 Position Micro Rocker Switches 6 Amp 125 Volt MTS-102

Visit the EGSCST Store

4.1 ★★★★★ (20) | Search this page

Amazon's Choice

100+ bought in past month

\$7.99 (\$0.67 / count)

Price history

prime Tomorrow

FREE Returns

Save up to 1% with business pricing. Sign up for a free Amazon Business account

Style: ON/ON 3Pin - 12pcs



ON/ON 3Pin - 12pcs

\$7.99 (\$0.67 / count)  
FREE Delivery Tomorrow

ON/OFF 2Pin - 12pcs

\$7.99 (\$0.67 / count)  
FREE Delivery Tomorrow

ON/OFF 3Pin+Wire ...

\$9.99 (\$0.83 / count)  
FREE Delivery Tomorrow

ON/OFF/ON 3Pin - 12pcs

\$7.99 (\$0.67 / count)  
FREE Delivery Saturday

ON/ON 6Pin - 12pcs

\$8.66 (\$0.72 / count)  
FREE Delivery Tomorrow

5Values Kit - 15pcs

\$9.99 (\$0.67 / count)  
FREE Delivery Saturday



Image shown is a representation only. Exact specifications should be obtained from the product data sheet.



## OQ065350000G

DigiKey Part Number	609-4278-ND
Manufacturer	<a href="#">Amphenol Anytek</a>
Manufacturer Product Number	OQ065350000G
Description	TERM BLOCK HDR 6POS 5.08MM

In-Stock: 1,535

[Check for Additional Incoming Stock](#)

QUANTITY

Add to List

Add to Cart

All prices are in USD

### Bulk

QUANTITY	UNIT PRICE	EXT PRICE
1	\$0.77000	\$0.77
10	\$0.57100	\$5.71
25	\$0.49760	\$12.44
50	\$0.44820	\$22.41
100	\$0.40530	\$40.53
250	\$0.35856	\$89.64



Image shown is a representation only. Exact specifications should be obtained from the product data sheet.



## TJ065153000G

DigiKey Part Number	609-4218-ND
Manufacturer	<a href="#">Amphenol Anytek</a>
Manufacturer Product Number	TJ065153000G
Description	TERM BLOCK PLUG 6POS 5.08MM

In-Stock: 371

[Check for Additional Incoming Stock](#)

QUANTITY

Add to List

Add to Cart

All prices are in USD

### Bulk

QUANTITY	UNIT PRICE	EXT PRICE
1	\$2.63000	\$2.63
10	\$1.88300	\$18.83
25	\$1.64320	\$41.08
50	\$1.49020	\$74.51
100	\$1.36220	\$136.22
250	\$1.22756	\$306.89



Image shown is a representation only. Exact specifications should be obtained from the product data sheet.



## MS0850502F030P1A

DigiKey Part Number EG5141-ND

Manufacturer **E-Switch**

Manufacturer Product Number MS0850502F030P1A

Description SWITCH SNAP ACTION SPDT 5A 125V

In-Stock: 1,108

[Check for Additional Incoming Stock](#)

QUANTITY

Add to List

Add to Cart

All prices are in USD

### Bulk

QUANTITY	UNIT PRICE	EXT PRICE
1	\$1.35000	\$1.35
10	\$1.11700	\$11.17
25	\$1.03600	\$25.90
50	\$0.97880	\$48.94
100	\$0.92480	\$92.48
270	\$0.85244	\$230.16



## KEY-BAK Industrial Retractable Reel with 24" Stainless Steel Chain, Steel Bracket Back, Chrome Front, Plastic Hose Clamp/Tool Holder

[Visit the KEY-BAK Store](#)

4.5 (42) | [Search this page](#)

\$22<sup>04</sup>

[Price history](#)

Save up to 20% with business pricing. Sign up for a free [Amazon Business account](#)

Brand	KEY-BAK
Material	Stainless Steel
Color	Chrome
Item dimensions L x W x H	5.7 x 3.1 x 0.8 inches
Style	Tool,Chain

