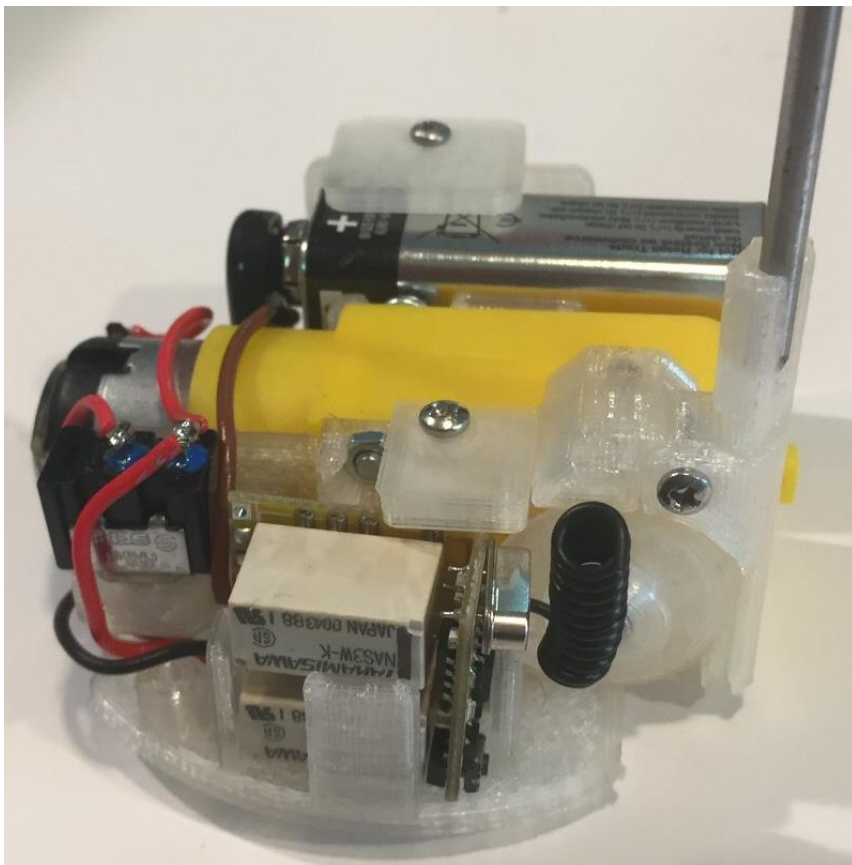
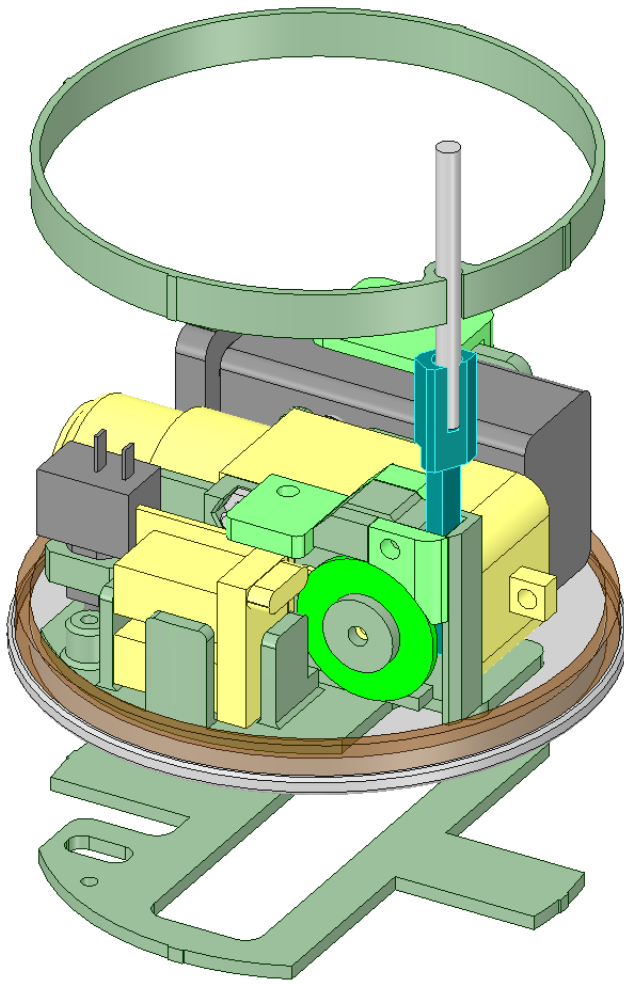
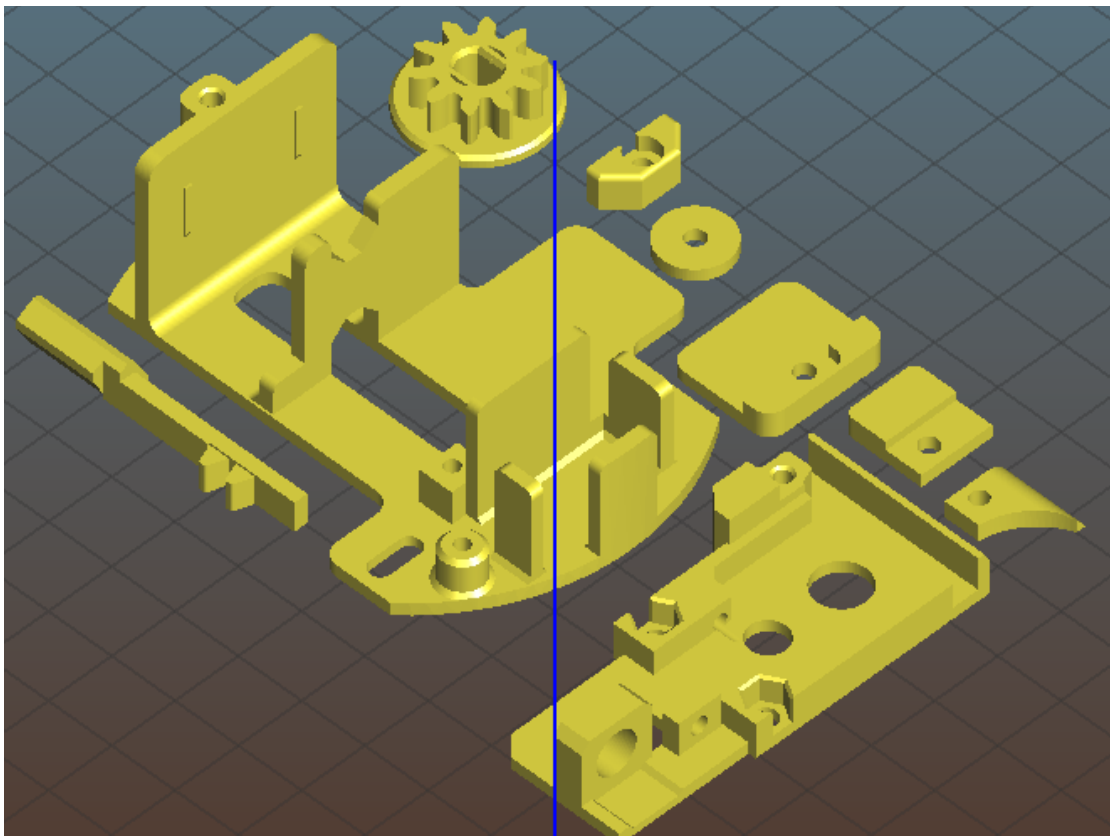
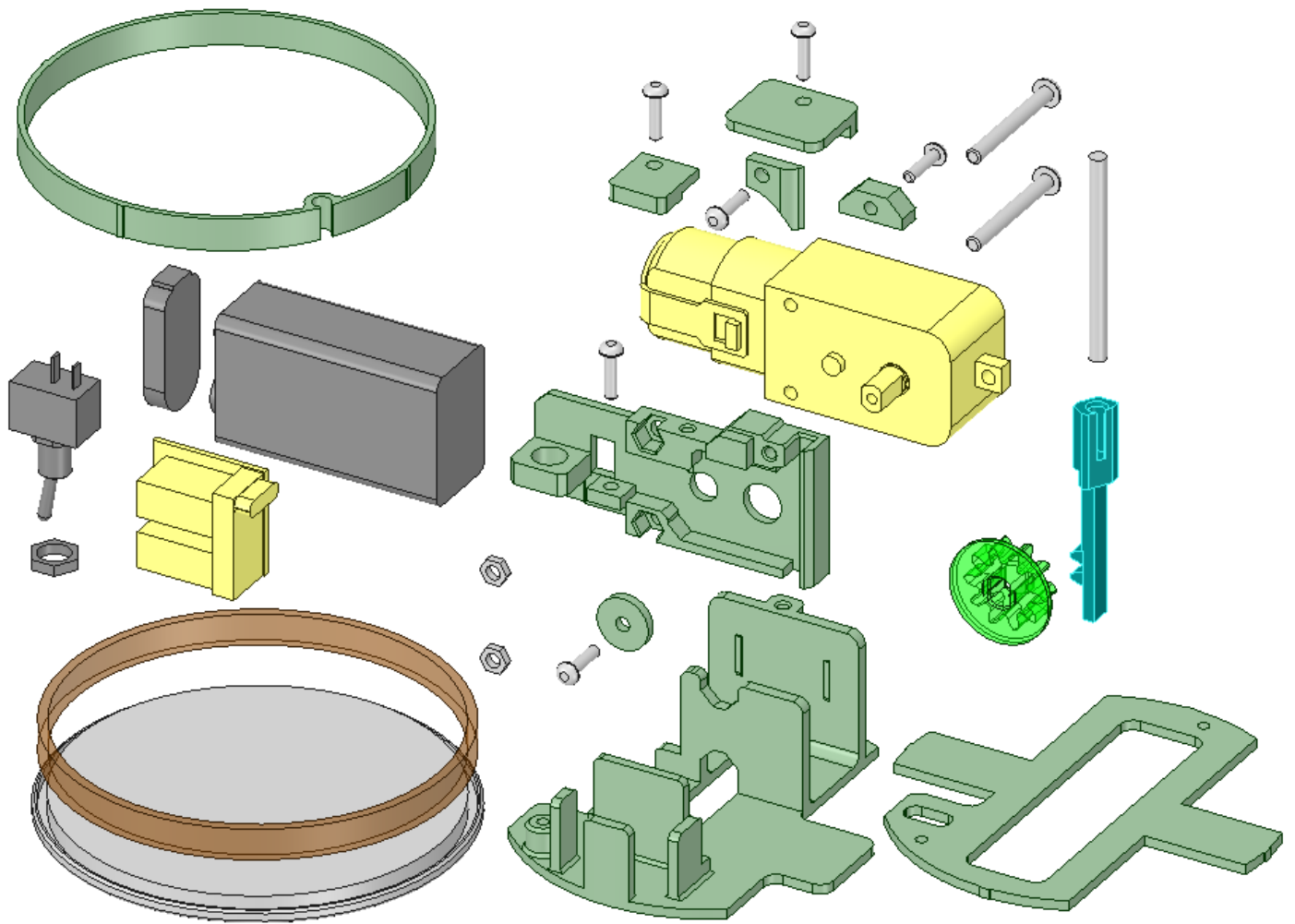


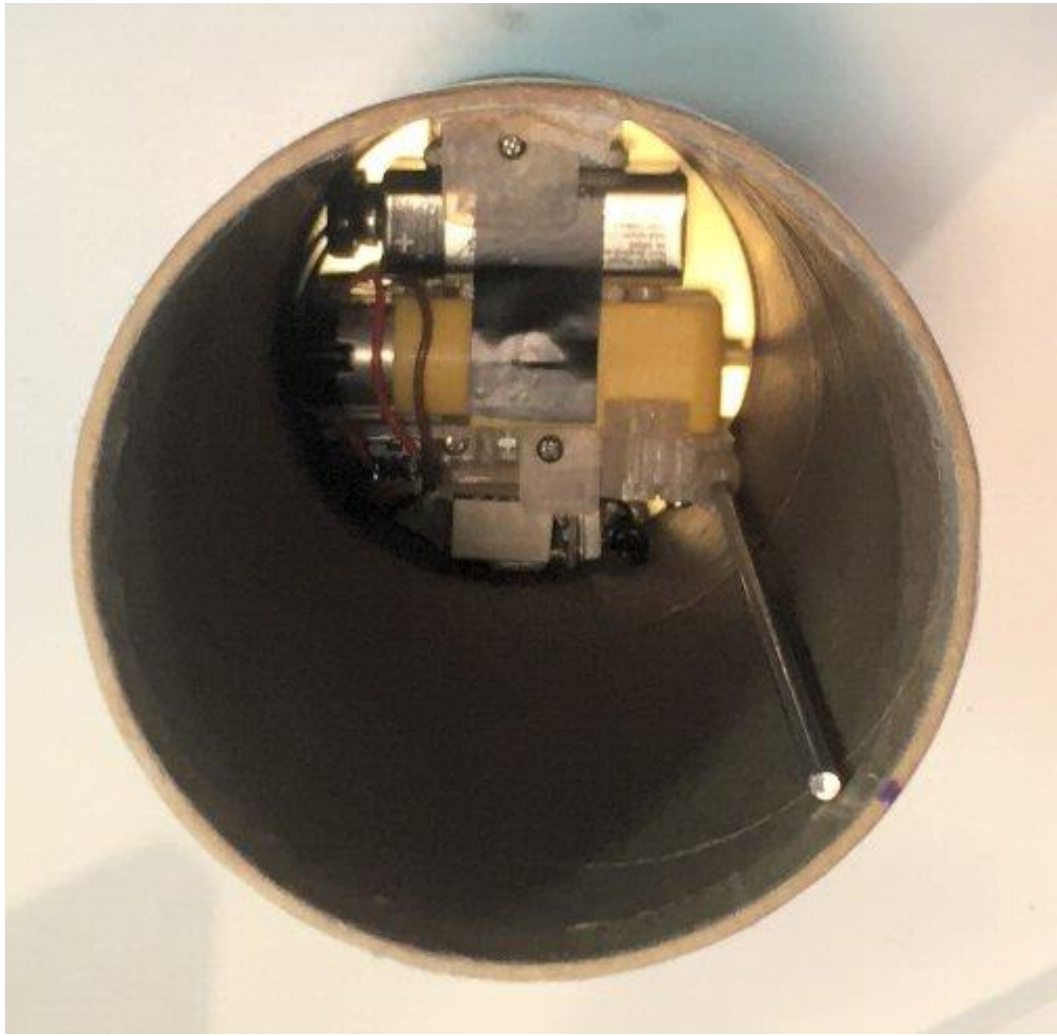
Remote Control Snake In Can (DesignSpark)



Exploded Views (DesignSpark Mechanical and Slicer)



Release Mechanism at bottom of can



Blppldyci The Potato Chip Snake Can Jump Spring Toy Gift April Fool Day Halloween Party Decoration Jokes in A Gag Prank Large Size (Potato Chip Style)(1pcs)

[Visit the Blppldyci Store](#)

4.3  (1,268) | [Search this page](#)

Overall Pick

1K+ bought in past month

-23% \$9⁹⁹

List Price: \$12.99  [Price history](#)

Get a **\$60 Gift Card** for each friend who is approved for Prime Visa or Amazon Visa. [Get started](#)



Roll over image to zoom in



DC 12V Remote Switch Universal 2 Channel Wireless RF Switch, 433Mhz Remote Wireless Momentary Switch Transmitter and Receiver for Indoor and Outdoor Use DC 4V 5V 6V 9V 12V

Tested and works as low as 3.5V

Brand: fushionsea

★★★★★ 15 ratings

Price: \$11.99 ✓prime & FREE Returns

Thank you for being a Prime member. Get a \$100 Gift Card: Pay \$0.00 upon approval for the Amazon Prime Rewards Visa Card. No annual fee.

- **【Secure】** : DC4V-DC12V; Wide Range Working Voltage DC4V 4.5V 5V 6V 9V 12V. Max Load: 2A. Each relay 1A (have better Load less than 700ma)
- **【Long Range remote relay】** the long range rf transmitter and receiver adopts RF technology, stable signal. Signal can pass through walls, floors and doors, steadily control receiver from any place within a reliable distance. Max range is up to 30m with no obstacle.
- **【Advantage】** mini size,Ultra low power,High sensitive response. Resist Interference: It adopts non-directional wireless encoding technology, allowing independent control without mutual interference.
- **【2CH 433mhz Remote for 3 different modes】** We have made transmitter and receiver working together (Momentary mode) and test it before ship it, when you get it don't need to do anything ,just install it. and also You can switch to 3 different modes as needed, Momentary / Toggle / Latched, It is very simple and convenient.



Diann 4pcs TT Motor DC 3-6V Gearbox Motor 200RPM Ratio 1:48 Shaft Motor with 2.54mm Wire for DIY Smart Car Robot

Brand: DIANN

4.6 ★★★★★ (44) | Search this page

Amazon's Choice

100+ bought in past month

\$6⁹⁹

[Price history](#)

Get a **\$60 Gift Card** for each friend who is approved for Prime Visa or Amazon Visa. [Get started](#)



California JOS 3 Pack 9V Battery Clip Connector Hard Shell for Arduino Electronics, Student Experiment, STEM Projects, and Research (I-Type)

[Visit the California JOS Store](#)

4.7 ★★★★★ (371) | [Search this page](#)

Amazon's Choice

1K+ bought in past month

\$3⁷⁹ (\$1.90 / count)

[Price history](#)

Get a **\$60 Gift Card** for each friend who is approved for Prime Visa or Amazon Visa. [Get started](#)

BOM (Bill Of Materials)

Line	Qty	Type	Description	Part Num	Price
1	2	Screw	4-40 1"L PanHead Phillips Steel ZincPlated	90272A115	\$3.32(100)
2	7	Screw	#2 3/8"L RoundHead Phillips SheetMetal Blunt 18-8SS	92525A118	\$2.83(100)
3	2	Nut	4-40 3/6"W NarrowProfile Steel ZincPlated	90760A005	\$2.83(100)
4	1	Rod	1/8" 304/304L StainlessSteel 1ft	89535K16	\$1.68(1)
5	1	Motor	TT 3-6V GearRatio1:48 200RPM	TT Motor	\$6.99(4)
6	1	Circuit	12V Remote Switch 2 Channel Relay		
7	1	Switch	SPDT Toggle 0.52"x0.27" 0.375"H	MTS-102	\$7.66(8)
8	1	printPLA	Base		
9	1	printPLA	Plate		
10	1	printPLA	Pinion		
11	1	printPLA	Washer		
12	1	printPLA	Slider		
13	1	printPLA	Slider Cover		
14	1	printPLA	Push Rod Guide		
15	1	printPLA	Top Block		
16	1	printPLA	Connector Trap		
17	1	printPLA	Battery Trap		
18	1	printPLA	Template		