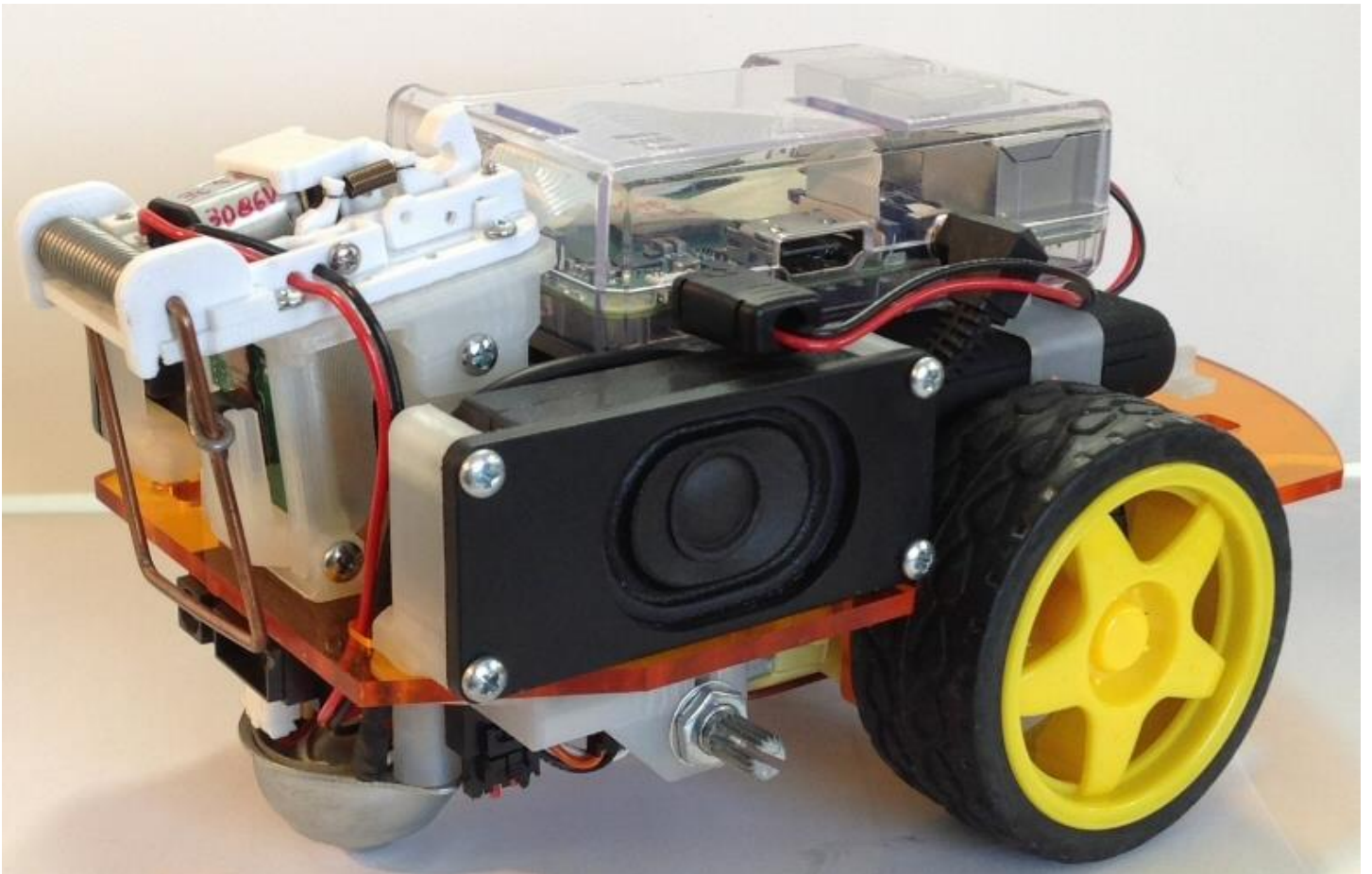
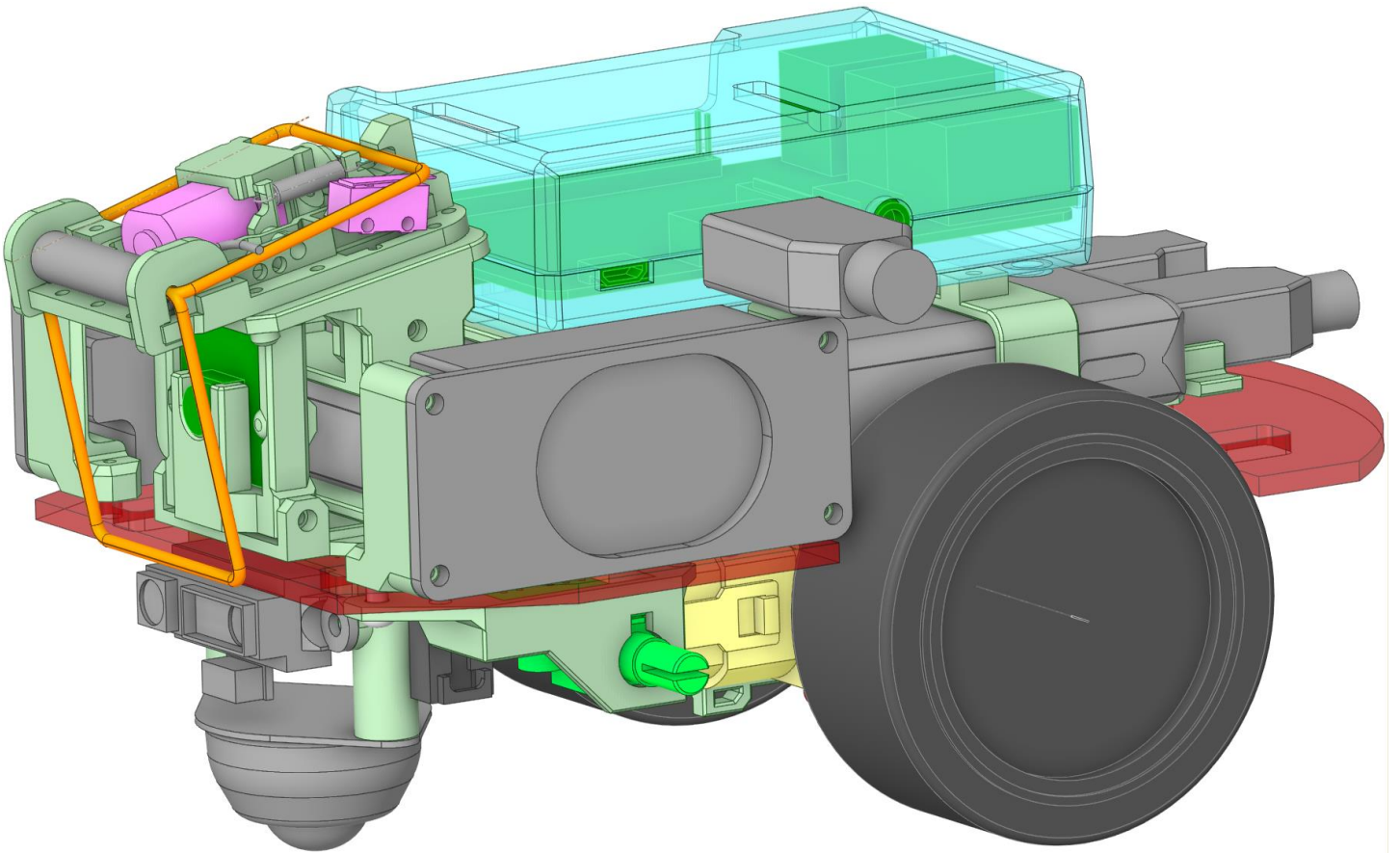
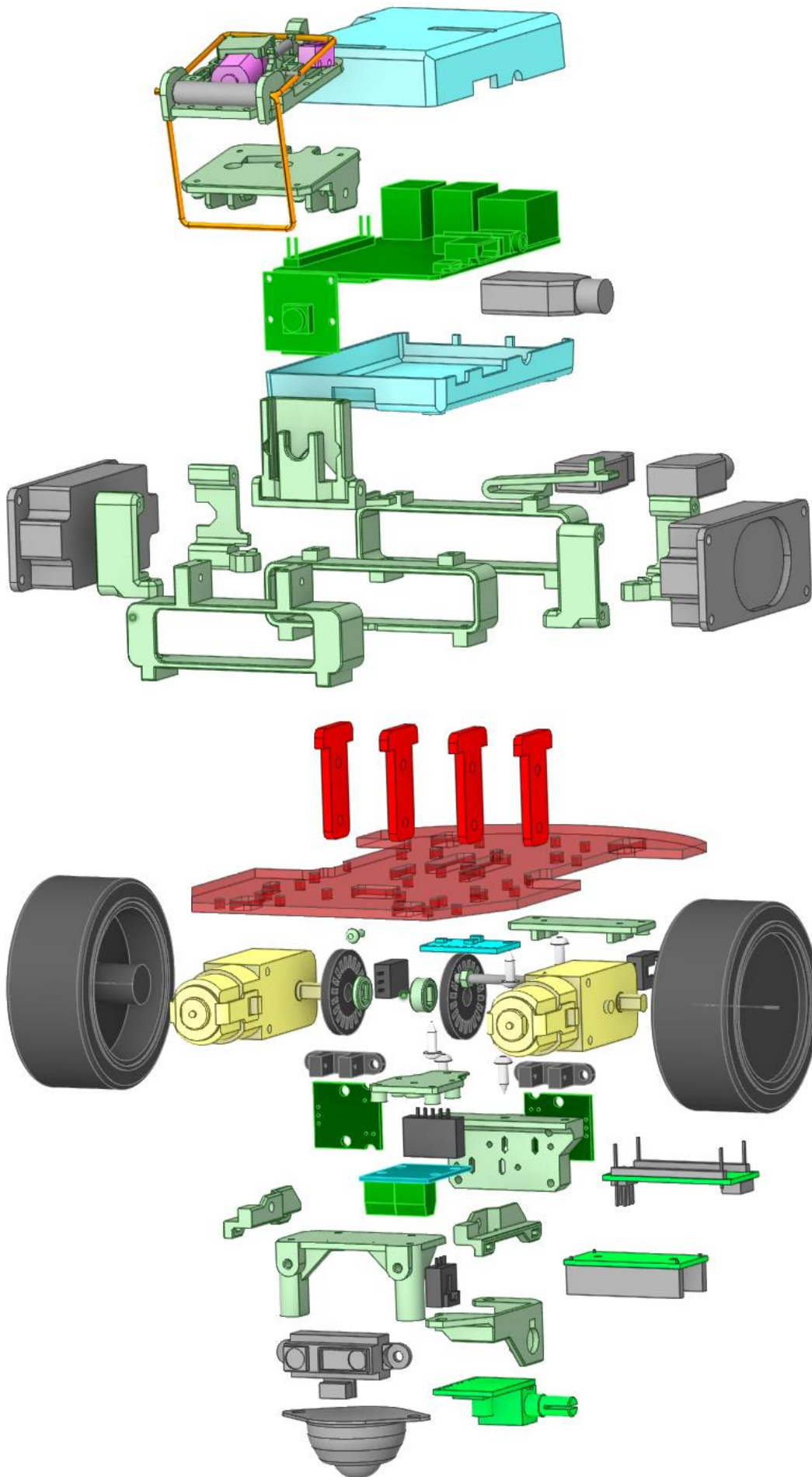


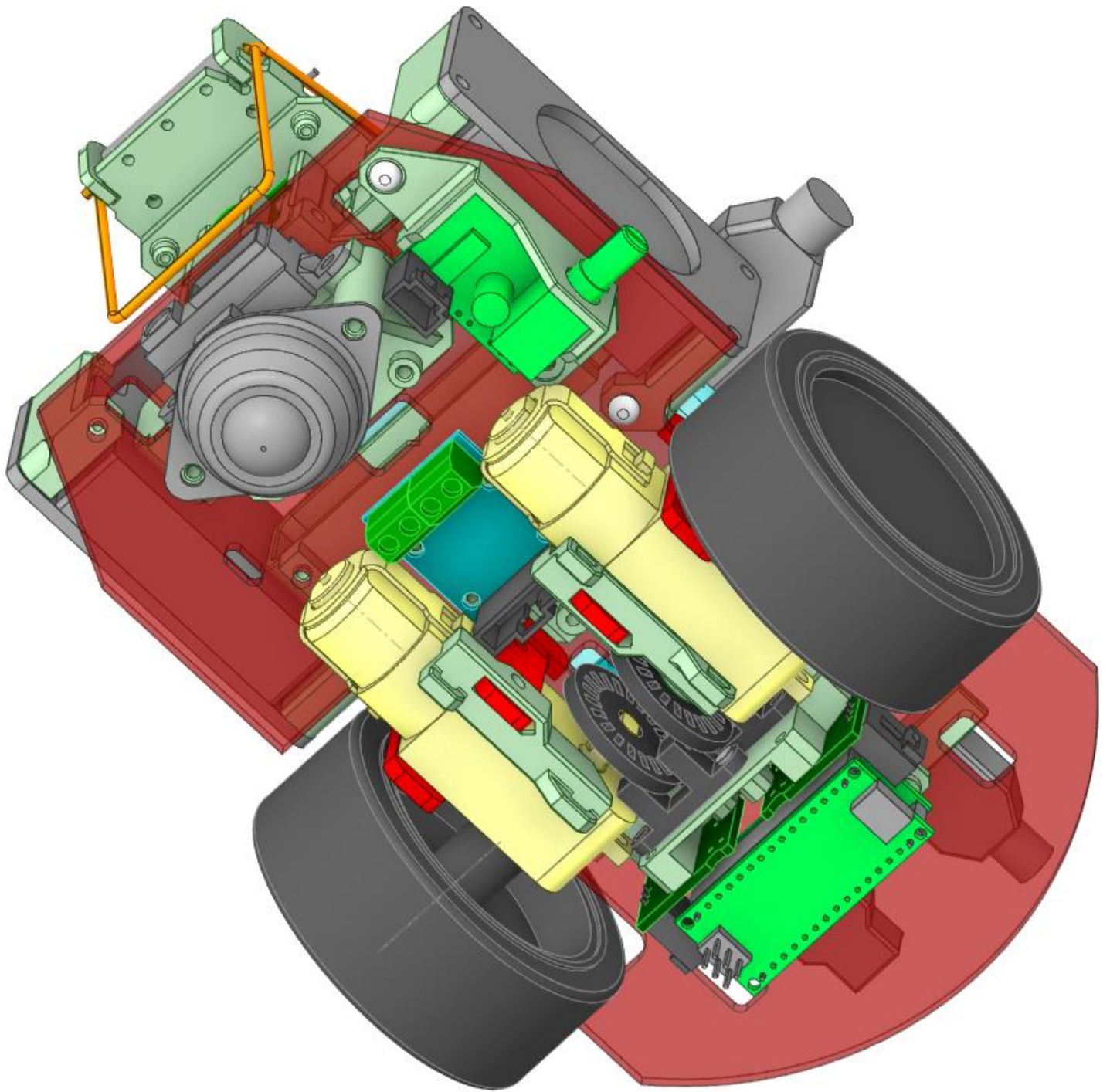
Tracking Robot (DesignSpark)



Exploded View (Screws not shown)



Bottom View





[Click to see full view](#)

4Pcs TT Motor Wheels Replacement 1:48 Scale Rubber Tires for Smart Car Robot DIY Kit, Remote Control Cars, RC Chassis, Gearbox Spare Parts

[Visit the DORHEA Store](#)

3.5 (2) | [Search this page](#)

\$5⁹⁹

[Price history](#)

Get a **\$60 Gift Card** for each friend who is approved for Prime Visa or Amazon Visa. [Get started](#)

prime Two-Day

- High Torque Output: Delivers a robust 800gf cm min torque at 3V, ideal for heavy-duty applications
- Precise dimensions: tire diameter 65mm, inner diameter 51.8mm, and width 27mm for a perfect fit
- Axle hole specifications: outer diameter 13.8mm, width 3.66mm, and length 5.3mm ensuring stable mounting
- Constructed with durable high-strength plastic hubs and black rubber tires for long-lasting



ULTECHNOVO Caster Wheels for Furniture, 5pcs Steel Caster Wheels for Robot Steering Heavy Duty Rotation Easy Installation Premium Quality Round Transfer

[Visit the ULTECHNOVO Store](#)

3.3 (3) | [Search this page](#)

\$9⁸⁹

[Price history](#)

prime Tomorrow

FREE Returns

Save 5% on 2 select item(s) [Shop items >](#)

Save 8% on 5 select item(s) [Shop items >](#)

Savings Buy any 10, Save 15% [Shop items >](#)

Save up to 6% with business pricing. [Sign up for a free Amazon Business account](#)

Number of Items: 1

Color Silver

Brand ULTECHNOVO



40 Pack Coded Disc Encoder 20 Holds Code Wheel for Speed Measuring Sensor Module LM393 TT Motor Micro Mini Gear Motor Photoelectric Encoders Kit Robot Speed Test IR Optocoupler MCU Arduino

Brand: ThtRht

5.0 (6) | [Search this page](#)

\$6⁹⁷

[Price history](#)

prime Tomorrow

FREE Returns

- Package: 40x Speed Measurement Code Disk
- Application :Ttmotor, Decelerating Motor
- Material: Plastic
- 20code Disc Diameter :26mm
- Suitable for Motor: TT Motor





Diann 4pcs TT Motor DC 3-6V Gearbox Motor 200RPM Ratio 1:48 Shaft Motor with 2.54mm Wire for DIY Smart Car Robot

Brand: DIANN

4.6 ★★★★★ (44) | [Search this page](#)

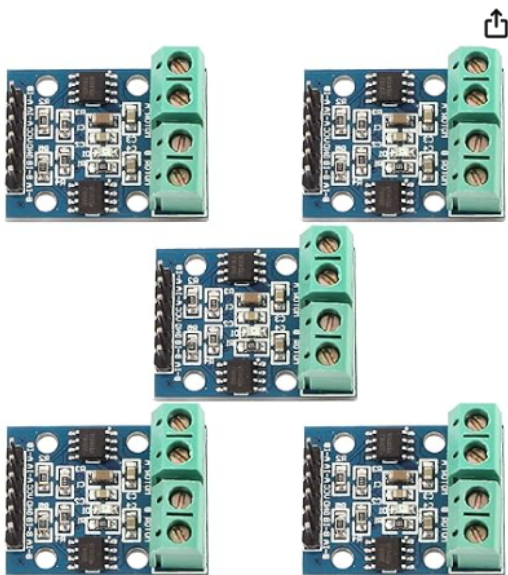
Amazon's Choice

100+ bought in past month

\$6⁹⁹

[Price history](#)

Get a **\$60 Gift Card** for each friend who is approved for Prime Visa or Amazon Visa. [Get started](#)



5pcs L9110S H-Bridge Motor Driver: 2.5-12V Dual DC / 2-Phase Stepper Controller Board for Arduino

[Visit the hiBCTR Store](#)

5.0 ★★★★★ (3) | [Search this page](#)

\$7⁶⁸

[Price history](#)

prime Tomorrow

FREE Returns

Save up to 2% with business pricing. [Sign up for a free Amazon Business account](#)

Brand	hiBCTR
Power Source	Battery Powered
Mounting Type	PCB Mount
Manufacturer	hiBCTR

About this item

- **Dual H-Bridge Control:** L9110S chip drives two DC motors simultaneously or one 4-wire bipolar stepper motor.
- **Wide Voltage Range:** Operates at 2.5-12V DC, compatible with most robotics and smart car motors.
- **Optimized Power Output:** Supports 0.8A continuous current per channel for reliable motor control.
- **Ultra-Compact Design:** 28mm×21mm PCB with 3mm mounting holes for space-constrained projects.
- **Simplified Logic Interface:** Direct IA/IB pin control for forward/reverse rotation via microcontroller IO.

[Click to see full view](#)



5PCS IR Infrared Slotted Optical Optocoupler Speed Measuring Sensor Module 3.3-5V for Arduino Also for Smart Robot Car Speed Measurement with Dupont Wire

Brand: DAOKAI

4.6 (34) | [Search this page](#)

Overall Pick

\$8⁸⁹ (\$1.78 / count)

[Price history](#)

Two-Day

FREE Returns

Up to 10% off if you qualify [Shop items >](#)

Style: **Speed Measuring Sensor Module**

Brand	DAOKAI
Current Rating	5 Amps
Circuit Breaker Type	Standard



Nano V3.0, Nano Board ATmega328P 5V 16M Micro-Controller Board Compatible with Arduino IDE (Nano x 3 with USB Cable)

Visit the LAFVIN Store

4.6 (2,239) | [Search this page](#)

Overall Pick

500+ bought in past month

\$15⁹⁹

[Price history](#)

Get a **\$60 Gift Card** for each friend who is approved for Prime Visa or Amazon Visa. [Get started](#)

Tomorrow

FREE Returns

Customers usually keep this item.

Brand	LAFVIN
Hardware Interface	USB



Comimark 1Pcs GP2Y0A21YK0F Sharp IR Analog Distance Sensor Distance 10-80CM Cable for Arduino

Brand: Comimark

4.1 (40) | [Search this page](#)

Overall Pick

50+ bought in past month

\$8⁵⁹

[Price history](#)

Get a **\$60 Gift Card** for each friend who is approved for Prime Visa or Amazon Visa. [Get started](#)

prime Tomorrow

FREE Returns

Brand	Comimark
Connector Type	Back Mount
Cable Type	Molex
Compatible Devices	Arduino, Computer, Laptop



New Raspberry Pi 3 Model B+ Board (3B+) Raspberry Pi 3B+ (1GB) (3B Plus)

[Visit the Raspberry Pi Store](#)

4.6 (835) | [Search this page](#)

Overall Pick

500+ bought in past month

\$53⁵⁸

[Price history](#)

Or \$8⁹³ /mo (6 mo) at 0% APR. Select from 2 plans

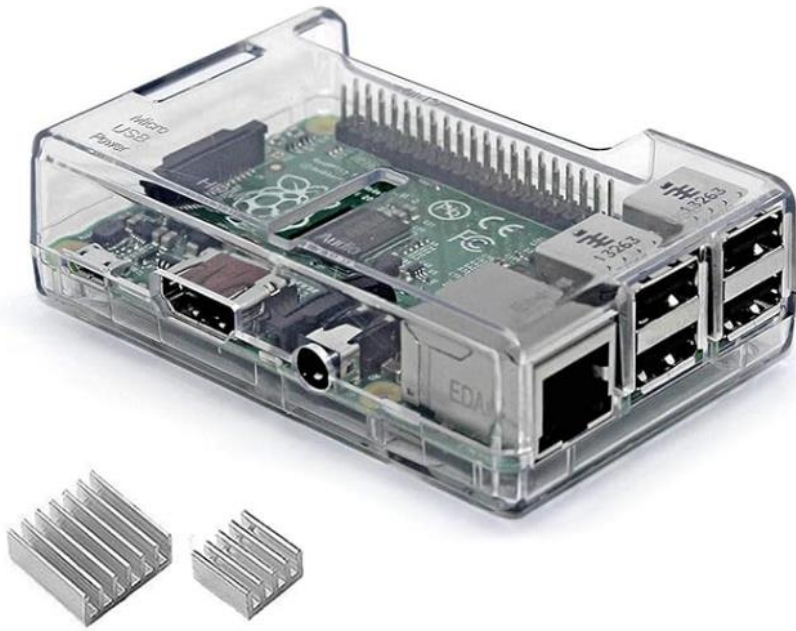
prime Tomorrow

FREE Returns

Save up to 2% with business pricing. Sign up for a free Amazon Business account

May be available at a lower price from [other sellers](#), potentially without free Prime shipping.

Brand	Raspberry Pi
Model Name	Raspberry Pi 3 Model B+
Ram Memory Installed Size	1 GB
Memory Storage Capacity	1 GB
CPU Model	Cortex



iUniker Raspberry Pi 3B+ Case - Transparent with Heatsink - Access to All Ports

Visit the [iUniker Store](#)

4.7 ★★★★★ (899) | [Search this page](#)

Overall Pick

100+ bought in past month

\$6⁹⁹

[Price history](#)

Get a **\$60 Gift Card** for each friend who is approved for Prime Visa or Amazon Visa. [Get started](#)

prime Two-Day

FREE Returns ▼

Color: **Clear**



Arducam 5MP Camera for Raspberry Pi, 1080P HD OV5647 Camera Module V1 for Raspberry Pi5/4/3/3B+, and Other A/B Series

Visit the [Arducam Store](#)

4.3 ★★★★★ (1,456) | [Search this page](#)

Overall Pick

300+ bought in past month

\$6⁹⁹

[Price history](#)

prime Tomorrow

FREE Returns ▼

Save up to 10% with business pricing. Sign up for a free Amazon Business account

Size: **OV5647 camera module**



OV5647 camera...	OV5647 camera...	OV5647 camera...
\$6.99 FREE Delivery Tomorrow	\$9.99 FREE Delivery Monday	\$19.98



CQRobot Speaker 3 Watt 4 Ohm Compatible with Arduino Motherboard, 2.54mm Dupont Interface. It is Ideal for a Variety of Small Electronic Projects.

Brand: CQRobot

4.4 ★★★★★ (166) | [Search this page](#)

Amazon's Choice

\$7.99

[Price history](#)

✓prime Tomorrow

FREE Returns ▾

Save up to 7% with business pricing. Sign up for a free Amazon Business account

Size: 403W-Dupont2.54

403W-Dupont2.54

\$7.99
FREE Delivery Tomorrow

403W-JST-PH2.0

\$7.99
FREE Delivery Tomorrow

403W-JST-PH2.0-N

\$8.99
FREE Delivery Saturday

403W-Dupont2.5...

\$8.99
FREE Delivery Saturday

803W-JST-PH2.0

\$7.99
FREE Delivery Tomorrow

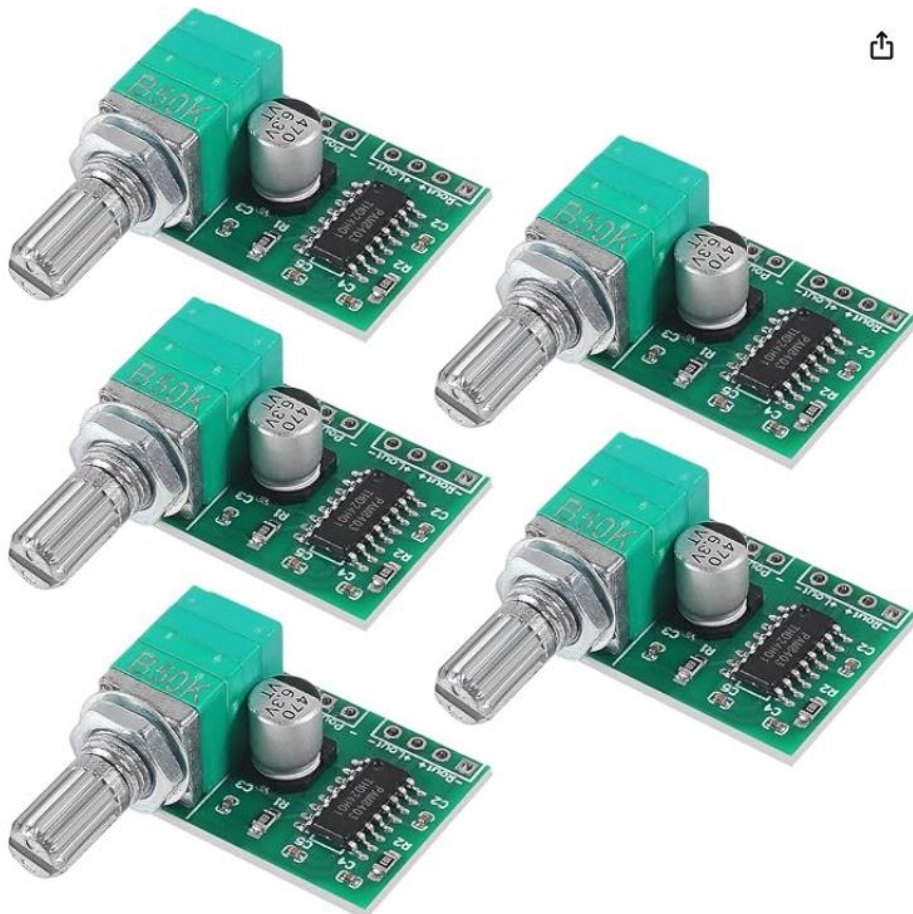
803W-JST-PH2.0-N

\$8.99
FREE Delivery Tomorrow

803W-

805W-IST-

805W-IST-



5pcs DC 5V 3W+3W Audio Amplifier Mini PAM8403 Digital Power Amp Module Board Dual-Channel for DIY(with Potentiometer)

Visit the ALAMSCN Store

4.5 ★★★★★ (2) | [Search this page](#)

\$6.99

[Price history](#)

✓prime Tomorrow

Save up to 5% with business pricing. Sign up for a free Amazon Business account

Brand ALAMSCN

Manufacturer ALAMSCN

UPC 687117715371

About this item

- PAM8403:A small digital power amplifier chip with high-definition sound quality
- Feature:Clear sound output,good listening enjoyment
- Package: 5PCS Mini PAM8403 DC 5V Audio Amplifier Module
- Flexible:With switches and potentiometers, and can adjust the volume

▶ [See more product details](#)