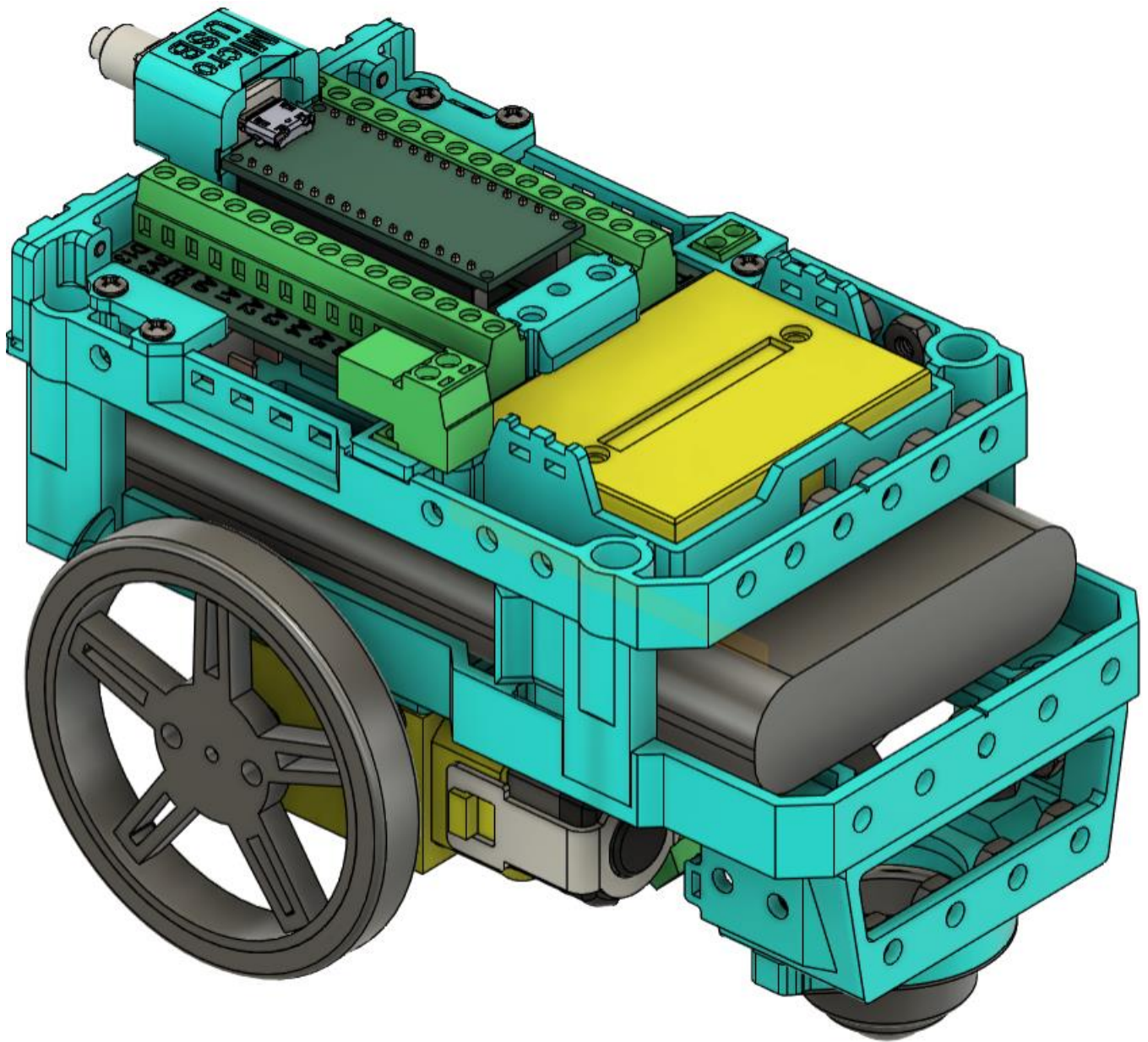
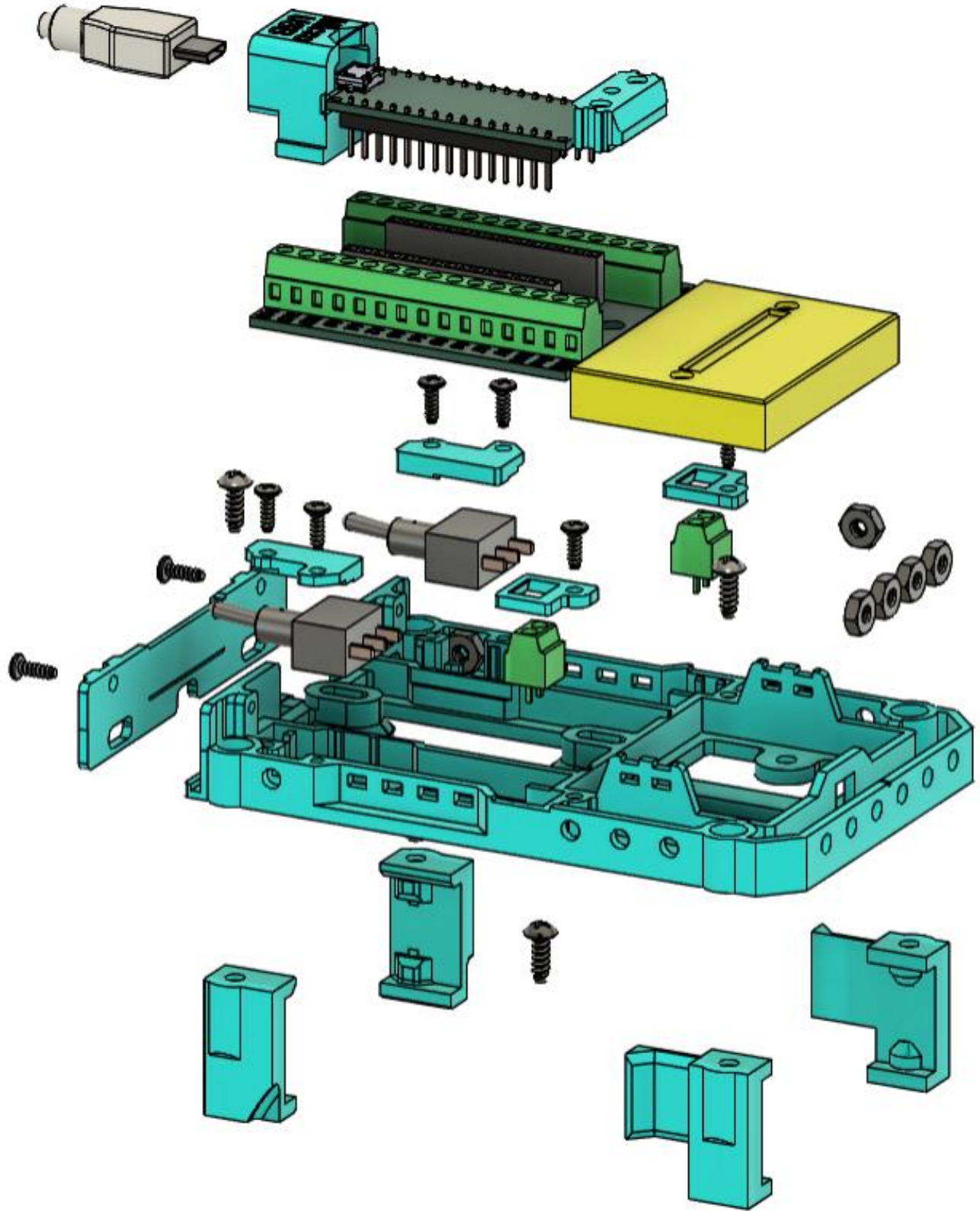


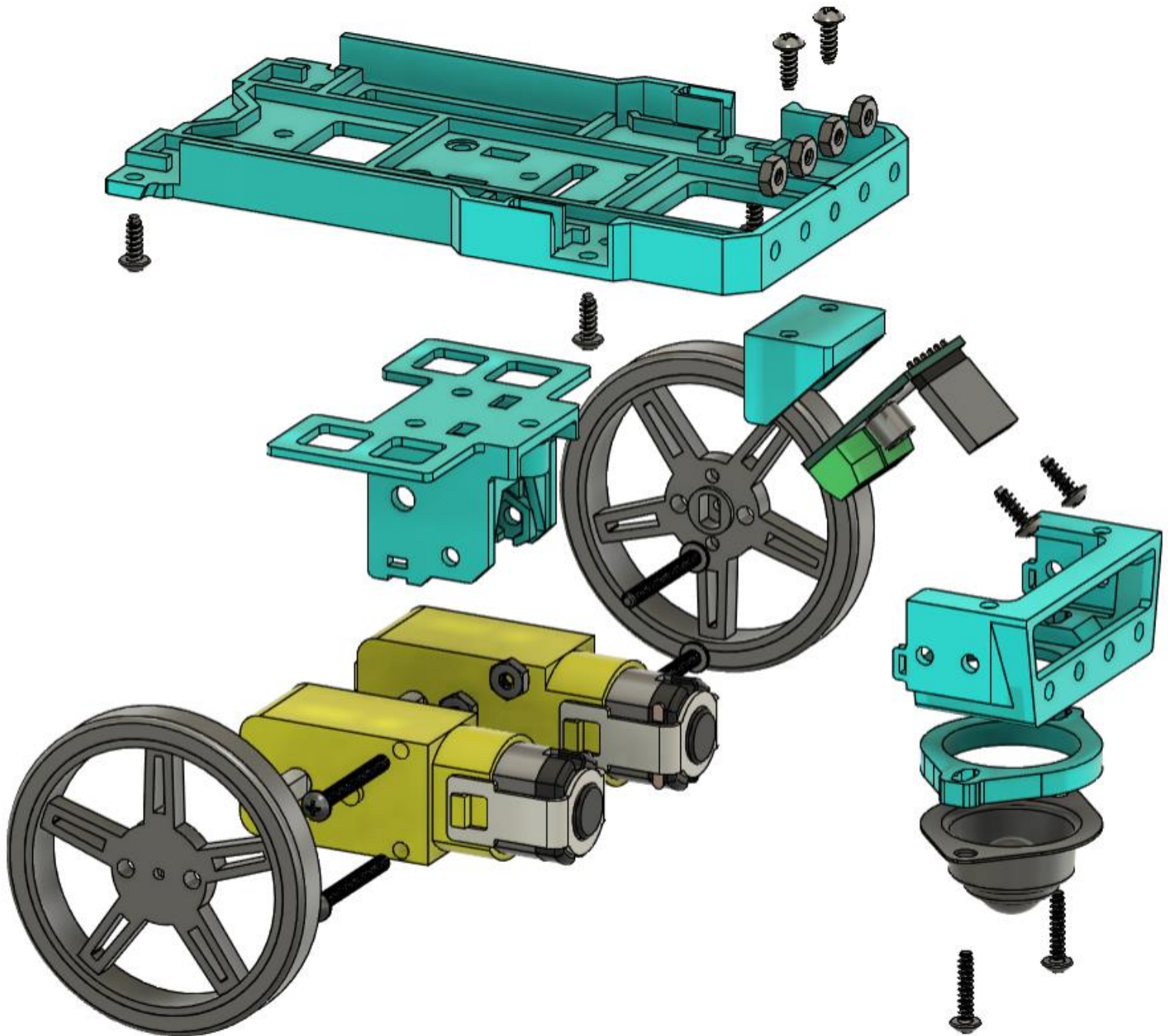
# Robot Platform



Exploded View (Top)



Exploded View (Bottom)



## BOM (Bill Of Materials)

Line	Qty	Type	Description	Part Num	Price
1	1	screw	4-40 3/8"L PanHead Phillips Steel ZincPlated	90272A108	\$2.02(100)
2	4	screw	4-40 1"L PanHead Phillips Steel ZincPlated	90272A115	\$3.32(100)
3	13	screw	#4 5/16"L RoundHead Phillips BluntHead Steel ZincPlated	90056A107	\$4.04(100)
4	2	screw	#4 1/2"L RoundHead Philips BluntSheetMetal Steel ZincPlated	90056A110	\$4.27(100)
5	9	screw	#2 1/4"L RoundHead Phillips SheetMetalBlunt 18-8SS	92525A110	\$5.39(100)
6	25	nut	4-40 1/4"W Steel ZincPlated	90480A005	\$1.10(100)
7	2	wheel	TT Skinny		
8	2	connector	0.1" Female Header 15P		
9	1	connector	Header 0.1in 4P		
10	1	connector	2.54mm 6P		
11	1	connector	3.81 2P Male		
12	1	connector	ScrewTerm 2.54mm 2P		
13	1	connector	ScrewTerm 2.54mm 3P		
14	1	printPLA	UpperPlate		
15	1	printPLA	SwitchClampLeft		
16	1	printPLA	SwitchClampRight		
17	1	printPLA	ConnClampLeft		
18	1	printPLA	ConnClampRight		
19	1	printPLA	TopPlateLabel		
20	1	printPLA	USBPlugShield		
21	1	printPLA	BatteryLatch		
22	1	printPLA	BreadboardClamp		
23	1	printPLA	Breadboard		
24	1	printPLA	LowerPlate		
25	1	printPLA	SupportLeftForward		
26	1	printPLA	SupportLeftForward(Mirror)		
27	1	printPLA	SupportLeftRear		
28	1	printPLA	SupportLeftRear(Mirror)		
29	1	printPLA	CasterMount		
30	1	printPLA	CasterSpacer		
31	1	printPLA	MotorDriverMount		
32	1	printPLA	MotorMount		
33	2	undef	Switch Toggle		
34	1	undef	Arduino Nano		
35	1	undef	Nano Breakout 2.24x1.81		
36	2	undef	Connector 3.5mm 2P (1)		
37	1	undef	LowerPlateAssem		
38	1	undef	CasterWheel		
39	1	undef	MountingNuts (1)		
40	1	undef	CasterAssembly		
41	2	undef	Connector 3.5mm 2P		
42	1	undef	Motor Driver		
43	2	undef	GearMotor		
44	1	undef	Battery 9.6V 1500mAH		



## Nano V3.0, Nano Board ATmega328P 5V 16M Micro-Controller Board Compatible with Arduino IDE (Nano x 3 with USB Cable)

Visit the LAFVIN Store

4.6 ★★★★★ (2,237) | Search this page

Amazon's Choice

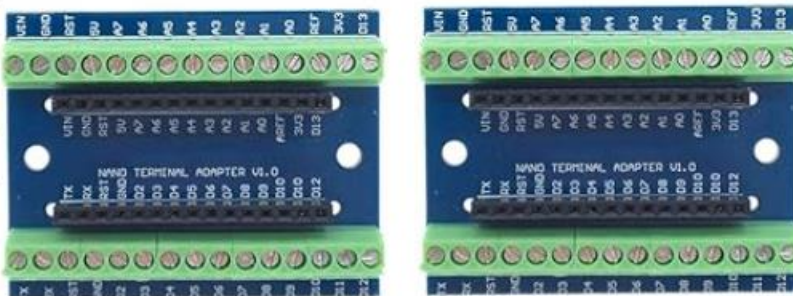
400+ bought in past month

\$15<sup>99</sup> Price history

Pay \$15.99 \$0.00 after using available Prime Visa rewards points.

prime Tomorrow

FREE Returns



## HiLetgo 3pcs Nano V3.0 3.0 Controller Terminal Adapter Expansion Board Nano IO Shield Simple Extension Plate for Arduino Mano AVR ATMEGA328P

Visit the HiLetgo Store

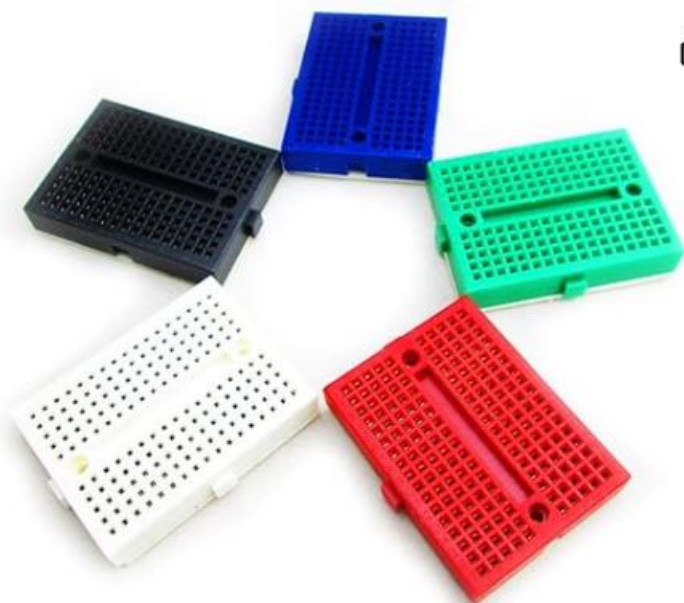
4.7 ★★★★★ (312) | Search this page

Amazon's Choice

100+ bought in past month

\$8<sup>79</sup> Price history

Pay \$8.79 \$0.00 after using available Prime Visa rewards points.



## HiLetgo 6pcs SYB-170 Mini Breadboard Colorful Breadboard Small Plates

Visit the HiLetgo Store

4.3 (107) | Search this page

50+ bought in past month

\$6<sup>49</sup> [Price history](#)

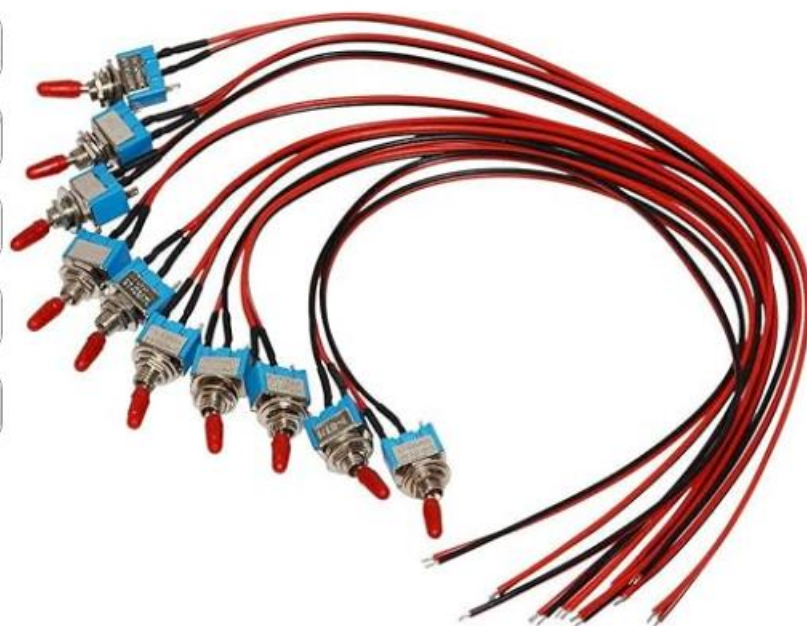
FREE Returns

Size: **Small**

- Size: 35 \* 47 \* 8.5mm
- A terminal strip: 170 jack
- Matching jumper, diameter 0.8mm
- Plastic: ABS
- Please inform us the color while purchasing, Color random delivery if no special request.

[Report an issue with this product or seller](#)

[Click to see full view](#)



## VONVOFF Toggle Switch, ON/Off SPST with Pre-soldered Wires, 3v/5v/12v/24v/72v/10v/220v/240v/ Mini Toggle Switches for car, Truck, Light, Test Machine, Industrial Equipment. 3 Pins 2 Positions (10pcs+Wire)

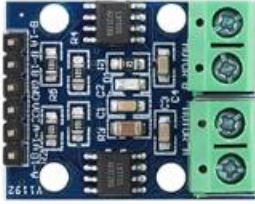
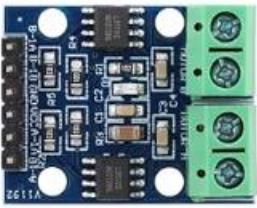
Visit the donjon Store

4.6 (1,405) | Search this page

**Amazon's Choice**

200+ bought in past month

\$9<sup>99</sup> [Price history](#)



Click to see full view



# 3pcs L9110S Dual Channel DC Stepper Motor Driver Board for Arduino

Brand: MusRock

[Search this page](#)

\$6<sup>99</sup> [Price history](#)

**Two-Day**

FREE Returns

Save up to 7% with business pricing. Sign up for a free Amazon Business account

Color: **L9110S Dual-Channel**

\$6.99 FREE Delivery Saturday

\$7.99 FREE Delivery Saturday

\$8.99 FREE Delivery Monday

Color

L9110S Dual-Channel



# Diann 4pcs TT Motor DC 3-6V Gearbox Motor 200RPM Ratio 1:48 Shaft Motor with 2.54mm Wire for DIY Smart Car Robot

Brand: DIANN

4.6 (49) | [Search this page](#)

**Amazon's Choice**

50+ bought in past month

\$6<sup>99</sup> [Price history](#)

Pay \$6.99 \$0.00 after using available Prime Visa rewards points.



# 4PCS TT Motor Wheel 65mm Rubber Tire Wheel for RC Car Smart Car Robot Wheels Replacement Part (Style 1)

Brand: Gracilaria

[Search this page](#)

\$7<sup>99</sup> [Price history](#)

Pay \$7.99 \$0.00 after using available Prime Visa rewards points.

**prime** Two-Day

FREE Returns

Style: **Style 1**

- Package Includes: 4PCS TT Motor wheel
- Material: Made of rubber and plastic, sturdy and long-lasting
- Size: Approx. 65mm/2.56" diameter, width 15mm/0.59"

[Click to see full view](#)

Ask Alexa



# 6 PCS 5/8" Nylon Roller Ball Transfer Bearing Casters Units, 360° Universal Wheel, Table Conveyor Roller Ball for Transmission, Furniture, Wheelchair

Brand: BLLREMIPSUR

3.9 (42) | [Search this page](#)

\$9<sup>99</sup> [Price history](#)

**prime** Tomorrow

FREE Returns

<b>Color</b>	Silver
<b>Brand</b>	BLLREMIPSUR
<b>Material</b>	Nylon
<b>Unit Count</b>	6.0 Count
<b>Item Weight</b>	0.16 Kilograms

[Click to see full view](#)



2 VIDEOS



## Tenergy 2Pack 9.6V Flat NiMH Battery Packs for RC Car, High Capacity 8-Cell 2000mAh Rechargeable Battery-Pack, Replacement Hobby Pack with Standard Tamiya Connectors

[Visit the Tenergy Store](#)

4.5  (140) | [Search this page](#)

**-10%** \$26<sup>99</sup> (\$13.50 / count) [Price history](#)  
List Price: ~~\$29.99~~

Pay \$26.99 \$8.40 after using available Prime Visa rewards points.